

SERVICE HOTLINE

+86 18357669906

CONTACT US



info@beilite.com



www.beilite.com



ZHEJIANG • CHINA
XINHE INDUSTRIAL PARK, WENLING



Contact:

TEL: +86 18357669906

BEILITE MACHINERY CO., LTD.



BEILITE

HYDRAULIC
BREAKER



QUALITY CHANGES THE FUTURE

COMPANY INTRODUCTION

Founded in 2002, BEILITE Machinery Co., Ltd. has been guided by its development philosophy of "Quality Changes the Future", and focusing on the R&D, production and service of high-end hydraulic breakers.

As a Chinese National High-Tech Enterprise, BEILITE works to implement Intelligent Manufacturing Strategy, and drives its rapid development with continuous innovation capabilities. Breaking through key hydraulic breaker manufacturing technologies, BEILITE successfully developed the first Chinese heavy-duty hydraulic breaker and first underwater hydraulic breaker. BEILITE holds hundreds of international leading technology patents, being certified through the three systems of quality, environment, occupational health, as well as the EU CE safety certification. In 2015, BEILITE participated in the drafting and formulation of the "National Standard for Hydraulic Breakers" within China, GB/T32799-2016.

BEILITE has BLT and BLTB independent brands, presenting Sound Suppressed Range, Top Mounted Range, Side Mounted Range, Backhoe Loader Breaker Range, Skid Steer Loader Breaker Range, and models ranging from BLT-40 to BLT-280, which can meet the demand of excavators and loaders of different tonnages. BEILITE is well-known for its advantages, strong impact power, steady working performance, long service life, low maintenance cost and high residual value. The products are suitable for various

applications like mining, demolition, tunnels, underwater, high-altitude, high temperature, extreme cold weather working site, ect.

As the first Chinese hydraulic breakers brand with independent intellectual property rights entering in Europe market, BLT, BLTB hydraulic breakers have been exported to Europe, America, Australia, Asia, Africa, covering more than a hundred countries and regions such as the United States, Germany, the United Kingdom, Russia, Japan, and India. Adhering to the service philosophy of "quality first, service first", consistently being guided by our customers' needs, BEILITE has built a complete and mature service network throughout China, and has been continuously upgrading overseas service outlets, increasing service staff, BEILITE is capable of providing customers with one-stop service solution, including pre-sales, in sales, and after-sales service around the clock.

BEILITE firmly believes in the spirit of hardwork and Integrity shapes character and always adheres to the mission of creating maximum value for customers. We will continue to deepen our expertise in the hydraulic breaker industry, strengthen independent innovation capabilities, better lead industry development, accelerate global layout. With high quality products, excellent service, and global reputation for made-in-China hydraulic breaker, BEILITE is striving to become a worldwide trustworthy and international competitive enterprise.



INDUSTRY SOLUTIONS



COLD-TEMPER APPLICATION

DESERT APPLICATION

UNDERWATER APPLICATION

CARGO ABROAD

CONSTRUCTION APPLICATION

HIGH-TEMPER APPLICATION

HIGH-ALTITUDE APPLICATION

QUARRY APPLICATION

TUNNEL APPLICATION

BLT



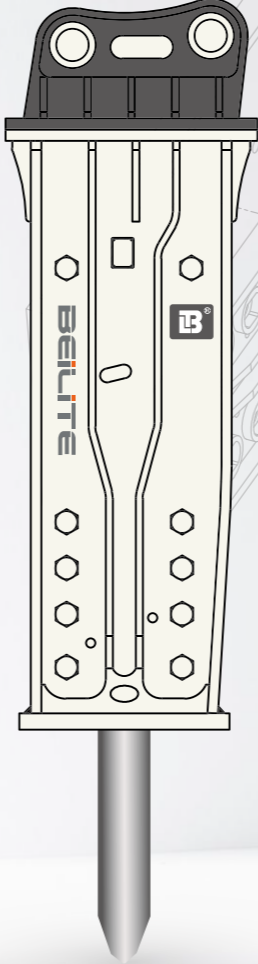
HYDRAULIC BREAKER PRODUCTS SERIES

SIX MAJOR SUPERIORITY

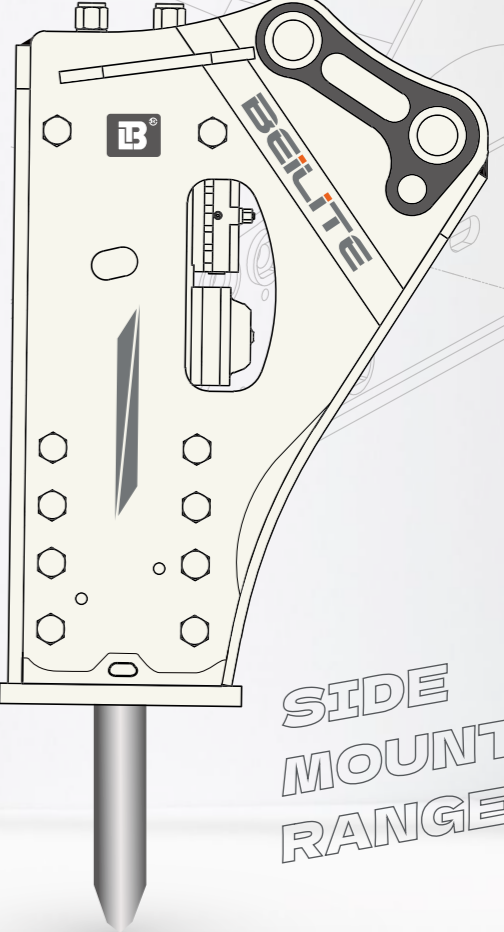
- STRONG IMPACT POWER
- STEADY WORKING PERFORMANCE
- LONG SERVICE LIFE
- LOW MAINTENANCE COST
- COMPREHENSIVE SERVICE SYSTEM
- HIGH RESIDUAL VALUE



SOUND
SUPPRESSED
RANGE




TOP
MOUNTED
RANGE









SIDE
MOUNTED
RANGE

BEILITE BLT 40




0.5~1.2t




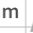


SOUND SUPRESSED TYPE		TOP MOUNTED TYPE		SIDE MOUNTED TYPE				
 1115mm	 86kg	 1171mm	 90kg	 952mm	 80kg			
Chisel Dia.	Working Oil Flow	Relief Pressure	Working Pressure	Back N. Pressure	Acc. N. Pressure	Impact Rate	Hose Dia.	Chisel Length
40 mm	15~30 l/min	130 bar	90~120 bar	14~17 bar	/ bar	800~1400 bpm	1/2 inch	450 mm

25cm (scale)

BEILITE BLT 53




1.5~3.5t







SOUND SUPRESSED TYPE		TOP MOUNTED TYPE		SIDE MOUNTED TYPE				
 1446mm	 180kg	 1436mm	 173kg	 1170mm	 161kg			
Chisel Dia.	Working Oil Flow	Relief Pressure	Working Pressure	Back N. Pressure	Acc. N. Pressure	Impact Rate	Hose Dia.	Chisel Length
53 mm	20~50 l/min	150 bar	90~120 bar	14~17 bar	/ bar	600~1100 bpm	1/2 inch	580 mm

25cm (scale)

BEILITE BLT 45




0.8~1.5t





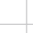

SOUND SUPRESSED TYPE		TOP MOUNTED TYPE		SIDE MOUNTED TYPE				
 1330mm	 137kg	 1294mm	 118kg	 1122mm	 105kg			
Chisel Dia.	Working Oil Flow	Relief Pressure	Working Pressure	Back N. Pressure	Acc. N. Pressure	Impact Rate	Hose Dia.	Chisel Length
45 mm	20~40 l/min	140 bar	90~120 bar	14~17 bar	/ bar	700~1200 bpm	1/2 inch	500 mm

25cm (scale)

BEILITE BLT 60



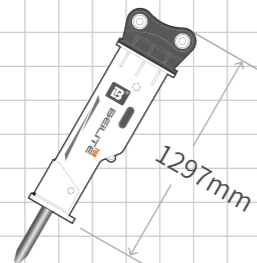
3~5.5t

SOUND SUPRESSED TYPE		TOP MOUNTED TYPE		SIDE MOUNTED TYPE				
 1478mm	 263kg	 1519mm	 238kg	 1282mm	 226kg			
Chisel Dia.	Working Oil Flow	Relief Pressure	Working Pressure	Back N. Pressure	Acc. N. Pressure	Impact Rate	Hose Dia.	Chisel Length
60 mm	30~60 l/min	160 bar	100~130 bar	14~17 bar	/ bar	500~1000 bpm	1/2 inch	600 mm

25cm (scale)

BEILITE BLT 70

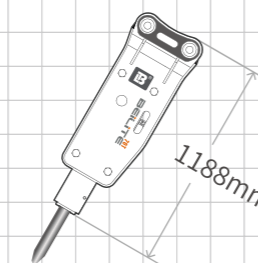
SOUND SUPRESSED TYPE



1297mm

length 1659mm KG 362kg

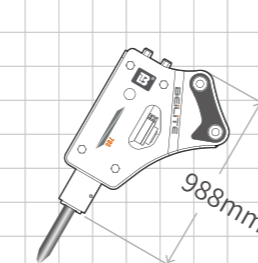
TOP MOUNTED TYPE



1188mm


length 1595mm KG 296kg

SIDE MOUNTED TYPE



988mm

length 1395mm KG 285kg



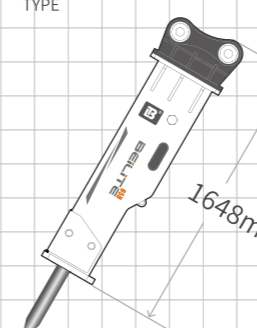
4.5~6t

Chisel Dia.	Working Oil Flow	Relief Pressure	Working Pressure	Back N. Pressure	Acc. N. Pressure	Impact Rate	Hose Dia.	Chisel Length
70 mm	40~70 l/min	160 bar	110~140 bar	14~17 bar	55~60 bar	500~900 bpm	1/2 inch	700 mm

50cm (scale)

BEILITE BLT 85

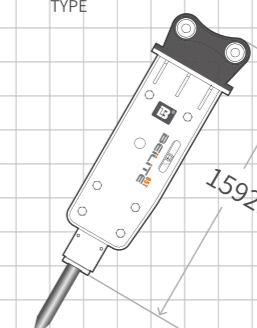
SOUND SUPRESSED TYPE



1648mm

length 2099mm KG 666kg

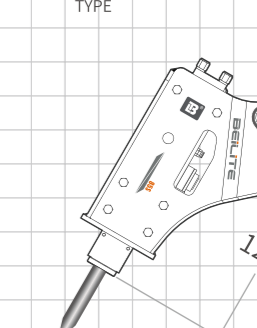
TOP MOUNTED TYPE



1592mm


length 2068mm KG 625kg

SIDE MOUNTED TYPE



1261mm

length 1737mm KG 560kg



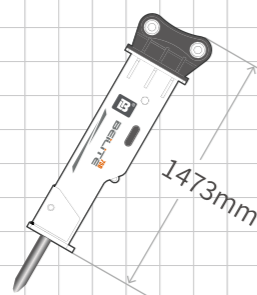
7~11t

Chisel Dia.	Working Oil Flow	Relief Pressure	Working Pressure	Back N. Pressure	Acc. N. Pressure	Impact Rate	Hose Dia.	Chisel Length
85 mm	60~100 l/min	180 bar	130~160 bar	14~17 bar	55~60 bar	400~800 bpm	3/4 inch	850 mm

50cm (scale)

BEILITE BLT 75

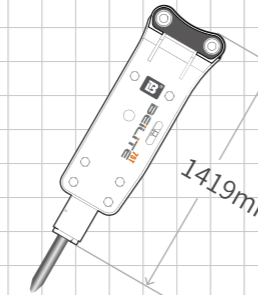
SOUND SUPRESSED TYPE



1473mm

length 1822mm KG 466kg

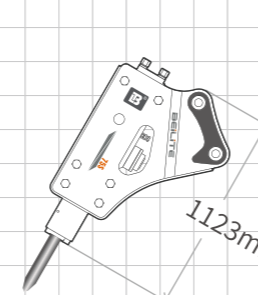
TOP MOUNTED TYPE



1419mm


length 1802mm KG 396kg

SIDE MOUNTED TYPE



1123mm

length 1507mm KG 390kg



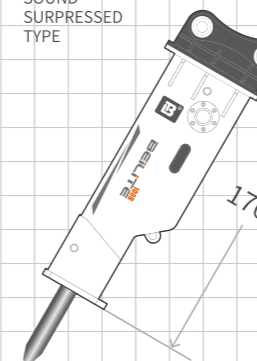
6~8.5t

Chisel Dia.	Working Oil Flow	Relief Pressure	Working Pressure	Back N. Pressure	Acc. N. Pressure	Impact Rate	Hose Dia.	Chisel Length
75 mm	50~90 l/min	180 bar	120~150 bar	14~17 bar	55~60 bar	400~800 bpm	1/2 inch	750 mm

50cm (scale)

BEILITE BLT 100

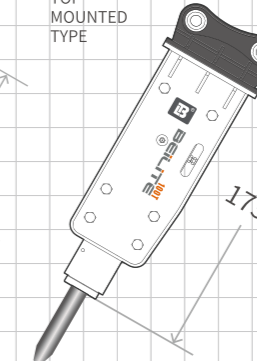
SOUND SUPRESSED TYPE



1762mm

length 2363mm KG 986kg

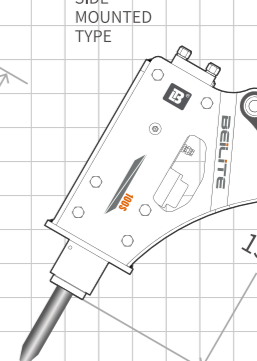
TOP MOUNTED TYPE



1733mm


length 2349mm KG 942kg

SIDE MOUNTED TYPE



1385mm

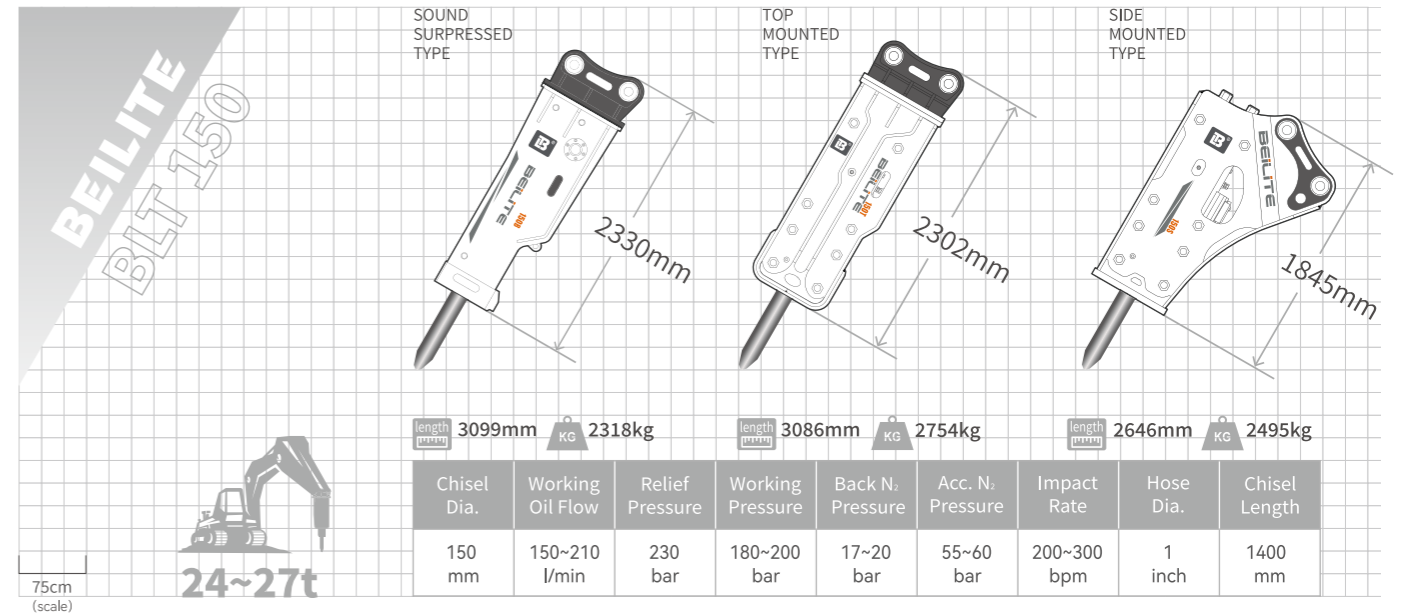
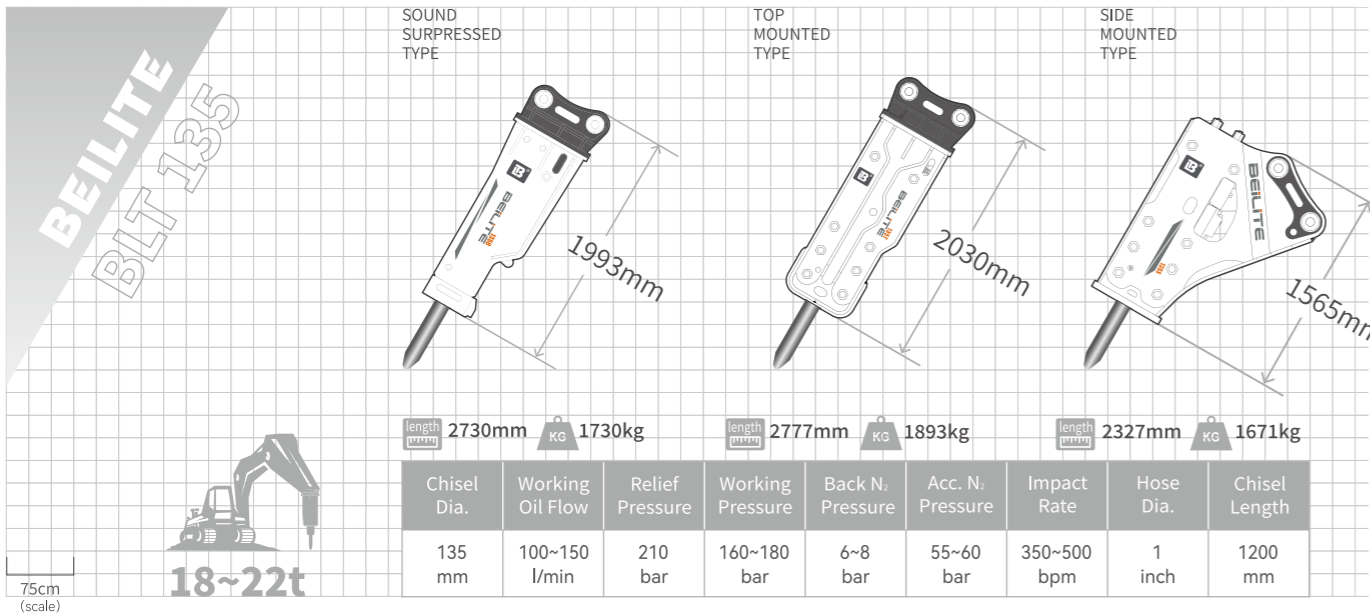
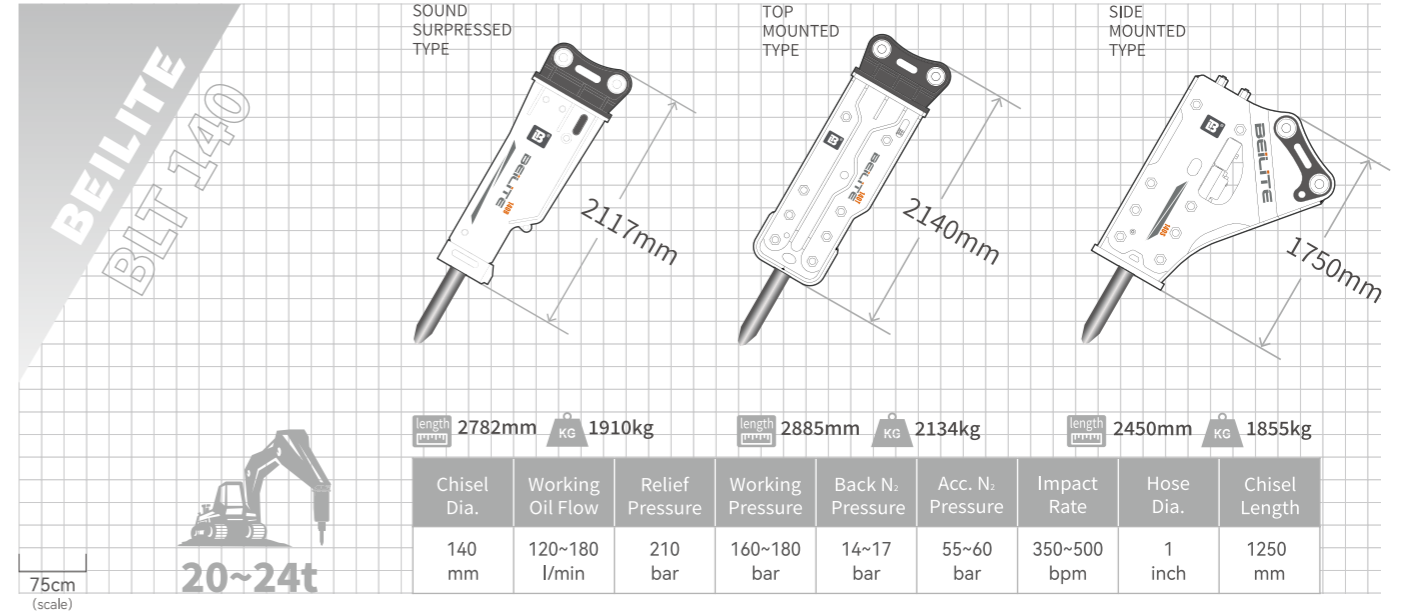
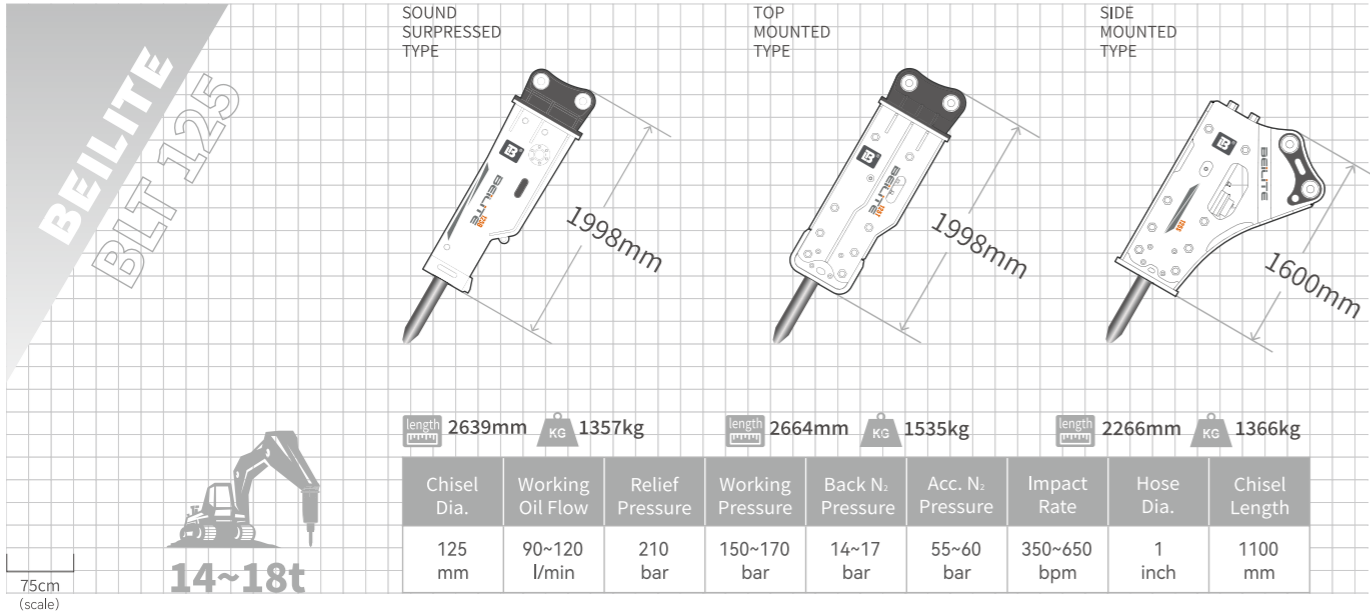
length 2001mm KG 835kg



10~14t

Chisel Dia.	Working Oil Flow	Relief Pressure	Working Pressure	Back N. Pressure	Acc. N. Pressure	Impact Rate	Hose Dia.	Chisel Length
100 mm	80~110 l/min	210 bar	150~170 bar	14~17 bar	55~60 bar	350~700 bpm	3/4 inch	1000 mm

50cm (scale)



BEILITE BLT 155

SOUND SUPRESSED TYPE 2406mm

TOP MOUNTED TYPE 2445mm

SIDE MOUNTED TYPE 1930mm

length 3199mm KG 2610kg length 3308mm KG 2995kg length 2804mm KG 2741kg

Chisel Dia.	Working Oil Flow	Relief Pressure	Working Pressure	Back N. Pressure	Acc. N. Pressure	Impact Rate	Hose Dia.	Chisel Length
155 mm	180~240 l/min	250 bar	200~220 bar	17~20 bar	55~60 bar	200~300 bpm	1½ inch	1400 mm

75cm (scale) **27~33t**

BEILITE BLT 175

SOUND SUPRESSED TYPE 3008mm

TOP MOUNTED TYPE 2888mm

SIDE MOUNTED TYPE 2342mm

length 3783mm KG 4575kg length 3820mm KG 4617kg length 3178mm KG 4287kg

Chisel Dia.	Working Oil Flow	Relief Pressure	Working Pressure	Back N. Pressure	Acc. N. Pressure	Impact Rate	Hose Dia.	Chisel Length
175 mm	220~270 l/min	280 bar	230~250 bar	25~28 bar	55~60 bar	130~200 bpm	1½ inch	1500 mm

75cm (scale) **40~50t**

BEILITE BLT 165

SOUND SUPRESSED TYPE 2612mm

TOP MOUNTED TYPE 2607mm

SIDE MOUNTED TYPE 2081mm

length 3456mm KG 3149kg length 3520mm KG 3621kg length 3015mm KG 3301kg

Chisel Dia.	Working Oil Flow	Relief Pressure	Working Pressure	Back N. Pressure	Acc. N. Pressure	Impact Rate	Hose Dia.	Chisel Length
165 mm	200~260 l/min	260 bar	210~230 bar	18~22 bar	55~60 bar	150~300 bpm	1½ inch	1450 mm

75cm (scale) **33~38t**

BEILITE BLT 185

SOUND SUPRESSED TYPE 3259mm

TOP MOUNTED TYPE 3168mm

SIDE MOUNTED TYPE 2535mm

length 4040mm KG 5180kg length 4016mm KG 5800kg length 3363mm KG 5120kg

Chisel Dia.	Working Oil Flow	Relief Pressure	Working Pressure	Back N. Pressure	Acc. N. Pressure	Impact Rate	Hose Dia.	Chisel Length
185 mm	230~280 l/min	300 bar	250~270 bar	27~30 bar	65~70 bar	100~140 bpm	1½ inch	1600 mm

75cm (scale) **45~55t**

BEILITE BLT 190

SOUND SUPRESSED TYPE

length 4040mm KG 5300kg

TOP MOUNTED TYPE

length 4016mm KG 6122kg

SIDE MOUNTED TYPE

length 3363mm KG 5240kg

45~55t

Chisel Dia.	Working Oil Flow	Relief Pressure	Working Pressure	Back N. Pressure	Acc. N. Pressure	Impact Rate	Hose Dia.	Chisel Length
190 mm	240~290 l/min	300 bar	250~270 bar	27~30 bar	65~70 bar	100~140 bpm	1½ inch	1600 mm

100cm (scale)

BEILITE BLT 200

SOUND SUPRESSED TYPE

length 4060mm KG 5580kg

TOP MOUNTED TYPE

length 4036mm KG 6402kg

SIDE MOUNTED TYPE

length 3383mm KG 5520kg

50~65t

Chisel Dia.	Working Oil Flow	Relief Pressure	Working Pressure	Back N. Pressure	Acc. N. Pressure	Impact Rate	Hose Dia.	Chisel Length
200 mm	280~330 l/min	330 bar	280~300 bar	27~30 bar	65~70 bar	100~130 bpm	1½ inch	1620 mm

100cm (scale)

BEILITE BLT 195

SOUND SUPRESSED TYPE

length 4040mm KG 5420kg

TOP MOUNTED TYPE

length 4016mm KG 6242kg

SIDE MOUNTED TYPE

length 3363mm KG 5360kg

50~60t

Chisel Dia.	Working Oil Flow	Relief Pressure	Working Pressure	Back N. Pressure	Acc. N. Pressure	Impact Rate	Hose Dia.	Chisel Length
195 mm	260~310 l/min	310 bar	260~280 bar	30~33 bar	65~70 bar	100~140 bpm	1½ inch	1600 mm

100cm (scale)

BEILITE BLT 205

SOUND SUPRESSED TYPE

length 4378mm KG 6832kg

TOP MOUNTED TYPE

length 4574mm KG 8656kg

SIDE MOUNTED TYPE

length 3846mm KG 6750kg

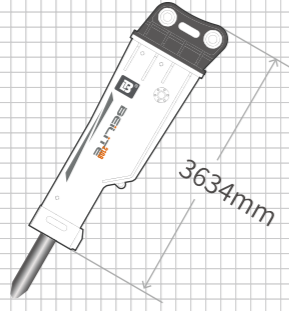
55~65t

Chisel Dia.	Working Oil Flow	Relief Pressure	Working Pressure	Back N. Pressure	Acc. N. Pressure	Impact Rate	Hose Dia.	Chisel Length
205 mm	320~380 l/min	330 bar	280~300 bar	32~35 bar	75~80 bar	100~130 bpm	1½ inch	1750 mm

100cm (scale)

BEILITE BLT 210


SOUND SUPRESSED TYPE



3634mm

length 4483mm KG 7052kg

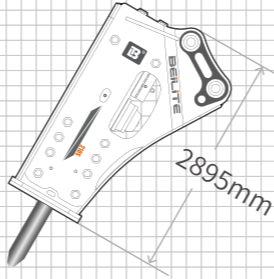
TOP MOUNTED TYPE



3550mm


length 4447mm KG 8877kg

SIDE MOUNTED TYPE



2895mm

length 3797mm KG 7600kg



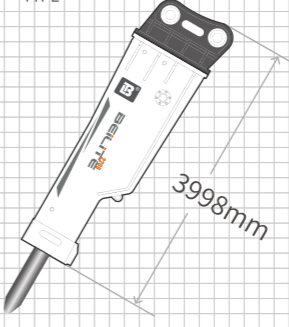
60~75t

Chisel Dia.	Working Oil Flow	Relief Pressure	Working Pressure	Back N. Pressure	Acc. N. Pressure	Impact Rate	Hose Dia.	Chisel Length
210 mm	340~400 l/min	350 bar	280~300 bar	32~35 bar	75~80 bar	90~120 bpm	1½ inch	1800 mm

100cm (scale)

BEILITE BLT 220

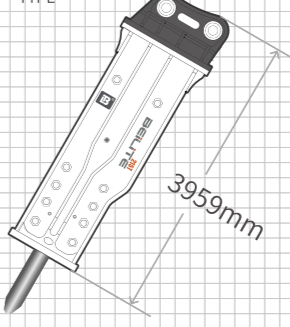
SOUND SUPRESSED TYPE



3998mm

length 4846mm KG 9601kg

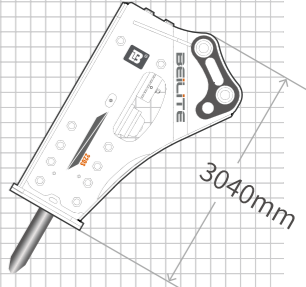
TOP MOUNTED TYPE



3959mm


length 4890mm KG 11255kg

SIDE MOUNTED TYPE



3040mm

length 3954mm KG 8900kg



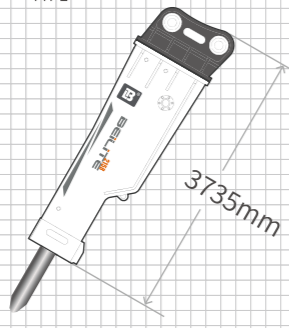
68~85t

Chisel Dia.	Working Oil Flow	Relief Pressure	Working Pressure	Back N. Pressure	Acc. N. Pressure	Impact Rate	Hose Dia.	Chisel Length
220 mm	390~450 l/min	350 bar	300~330 bar	32~35 bar	75~80 bar	80~110 bpm	1½ inch	1900 mm

100cm (scale)

BEILITE BLT 215

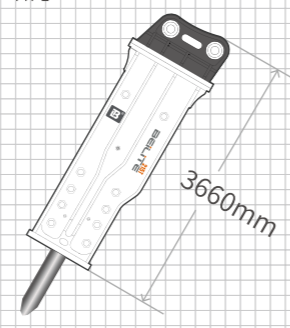
SOUND SUPRESSED TYPE



3735mm

length 4587mm KG 7453kg

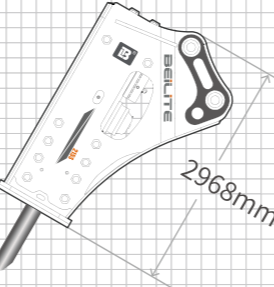
TOP MOUNTED TYPE



3660mm


length 4556mm KG 9098kg

SIDE MOUNTED TYPE



2968mm

length 3869mm KG 8000kg



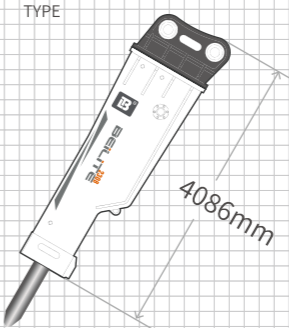
65~75t

Chisel Dia.	Working Oil Flow	Relief Pressure	Working Pressure	Back N. Pressure	Acc. N. Pressure	Impact Rate	Hose Dia.	Chisel Length
215 mm	360~420 l/min	350 bar	280~300 bar	32~35 bar	75~80 bar	90~120 bpm	1½ inch	1800 mm

100cm (scale)

BEILITE BLT 230

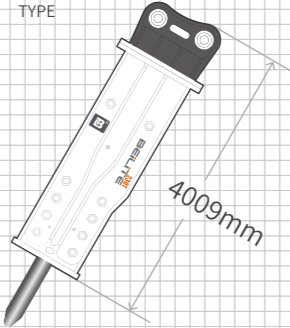
SOUND SUPRESSED TYPE



4086mm

length 5024mm KG 10207kg

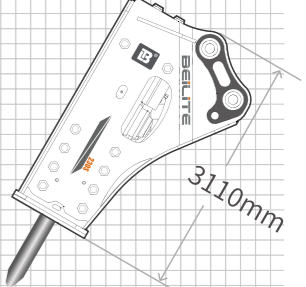
TOP MOUNTED TYPE



4009mm


length 5029mm KG 12000kg

SIDE MOUNTED TYPE



3110mm

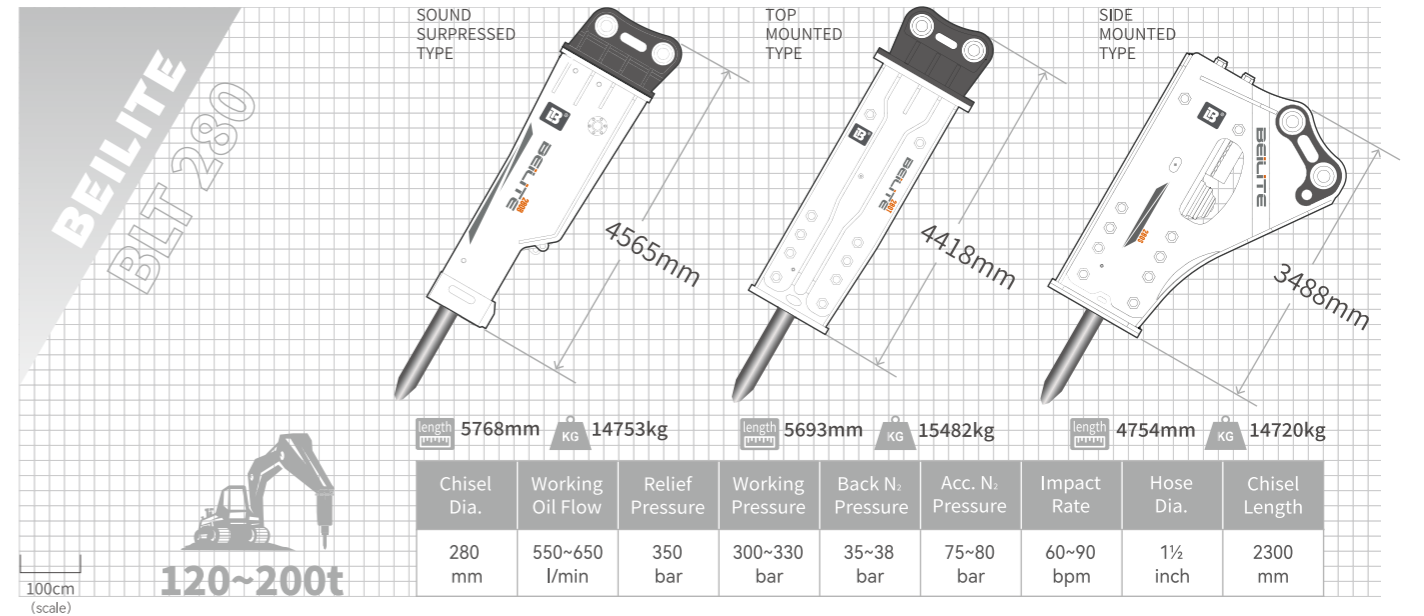
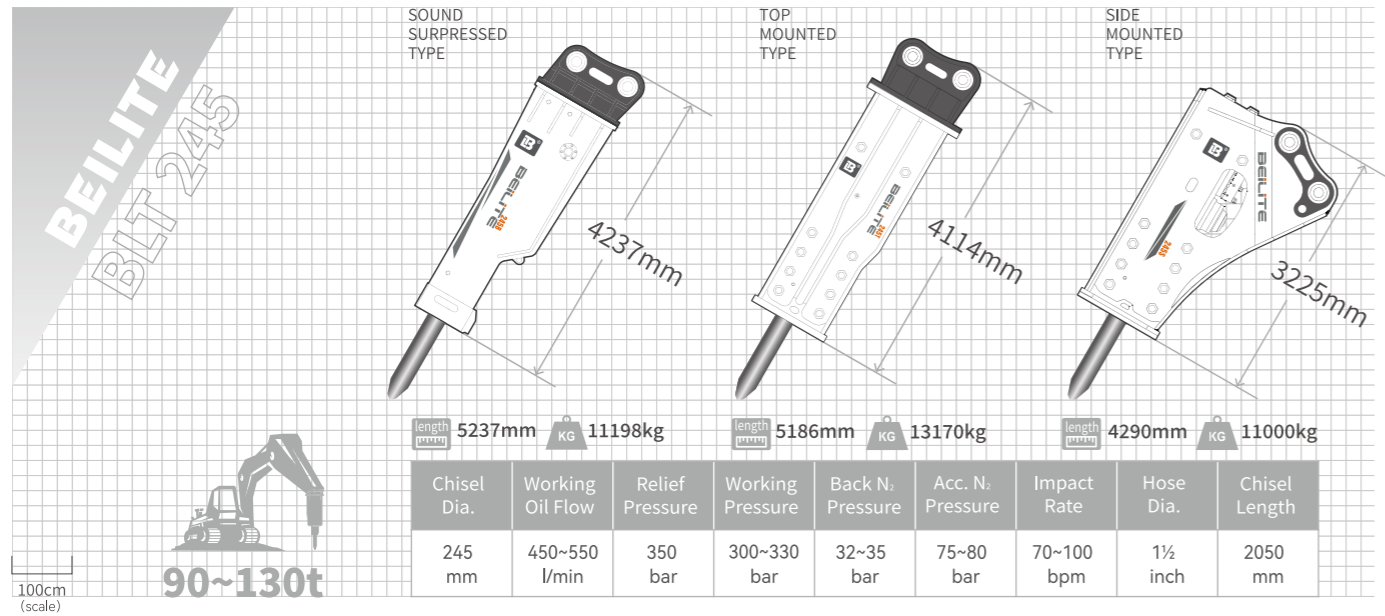
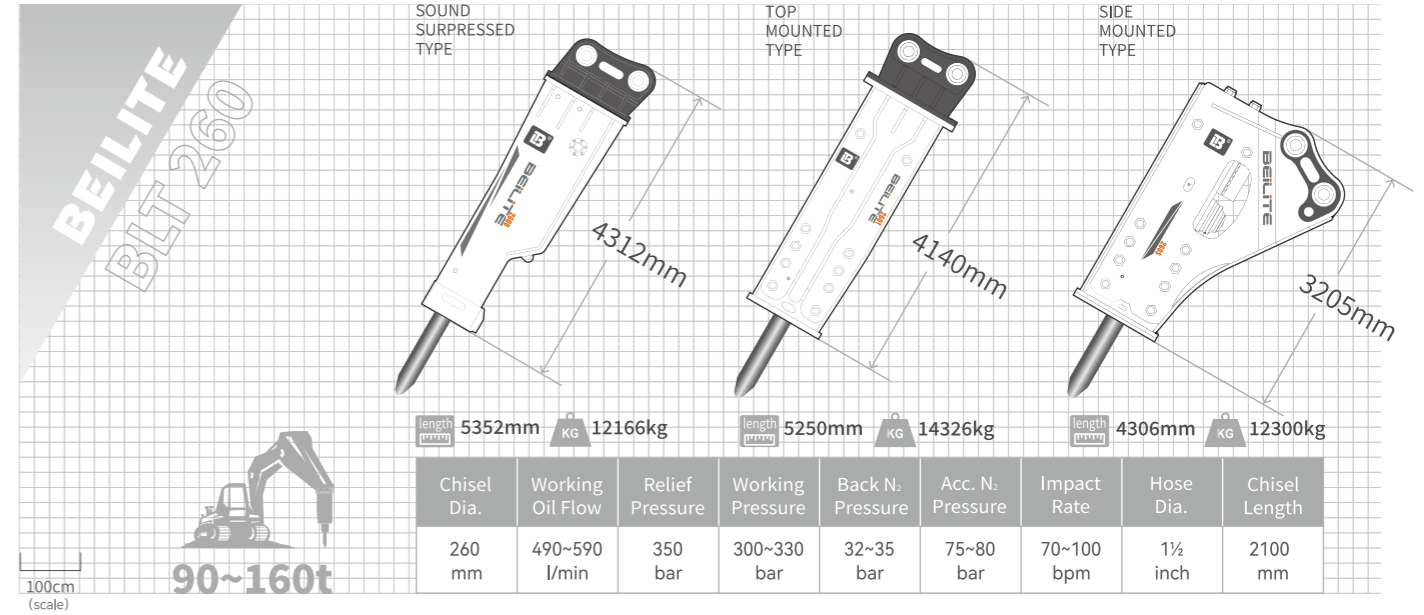
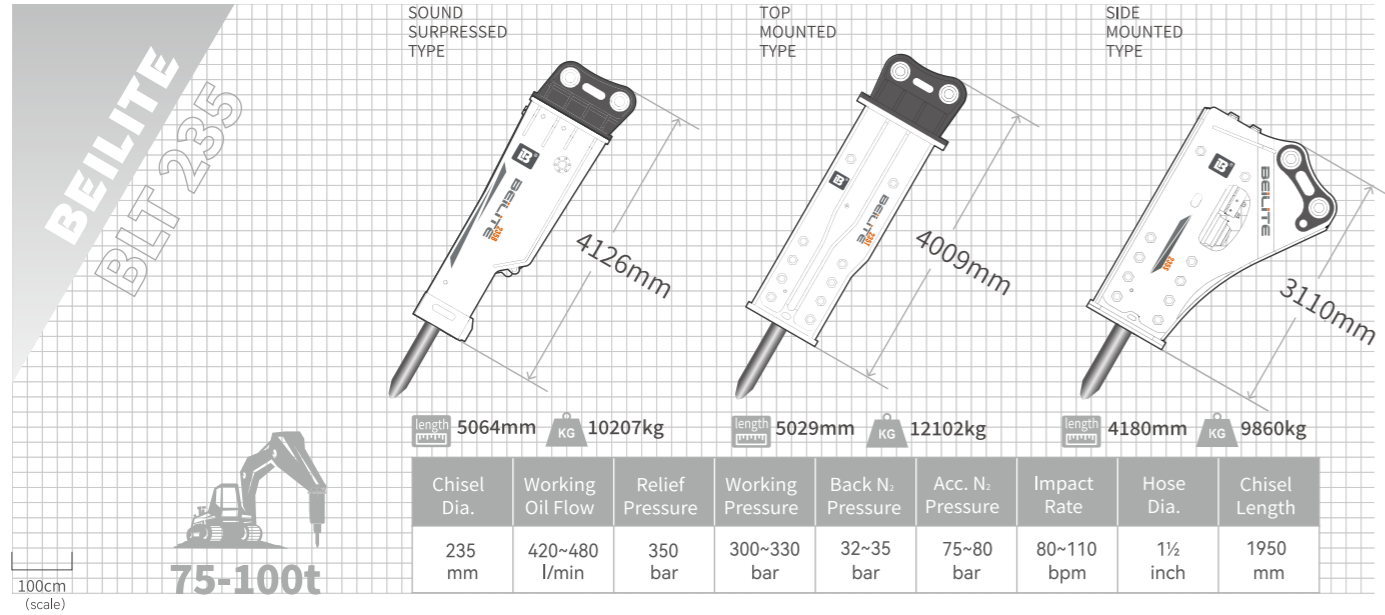
length 4110mm KG 9680kg



75~100t

Chisel Dia.	Working Oil Flow	Relief Pressure	Working Pressure	Back N. Pressure	Acc. N. Pressure	Impact Rate	Hose Dia.	Chisel Length
230 mm	420~480 l/min	350 bar	300~330 bar	32~35 bar	75~80 bar	80~110 bpm	1½ inch	1950 mm

100cm (scale)



INTELLIGENT MANUFACTURING METALWORKING WORKSHOP



INTELLIGENT MANUFACTURING
HEAT TREATMENT WORKSHOP



INTELLIGENT MANUFACTURING
GRINDING WORKSHOP



INTELLIGENT MANUFACTURING INSPECTION CENTER



CONSTRUCTION CASE



CONSTRUCTION CASE



SPECIALISED APPLICATION CASE



Cold Weather Application

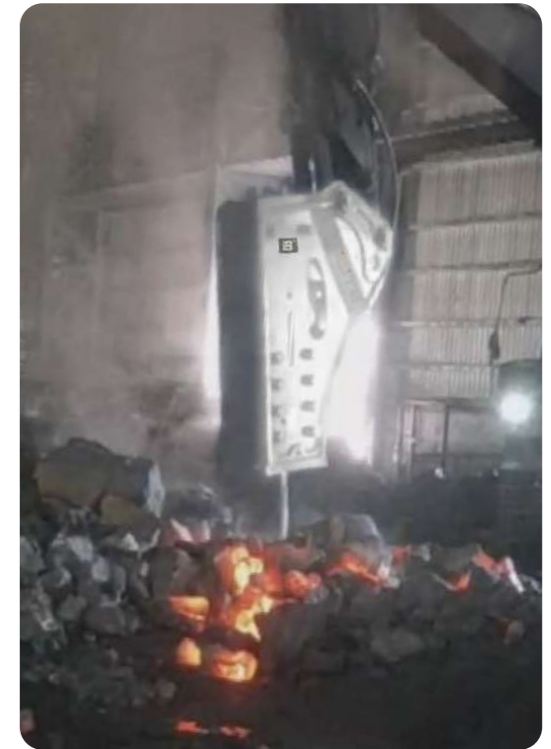


Underwater Application

SPECIALISED APPLICATION CASE



Tunnel Application



High Temperature Application

SERVICE NETWORK DISTRIBUTION



SERVICE OUTLETS AROUND THE WORLD



Service Network Across China, And Global Service Coverage.
Customers Can Enjoy The Beilite's Convenient Service Anytime And Anywhere.

100+ Countries And Regions

Expand Overseas: Europe, America, Australia, Asia, Africa, ect.

BELLITE

VISION

Become A Worldwide Trustworthy
And International Competitive Enterprise.